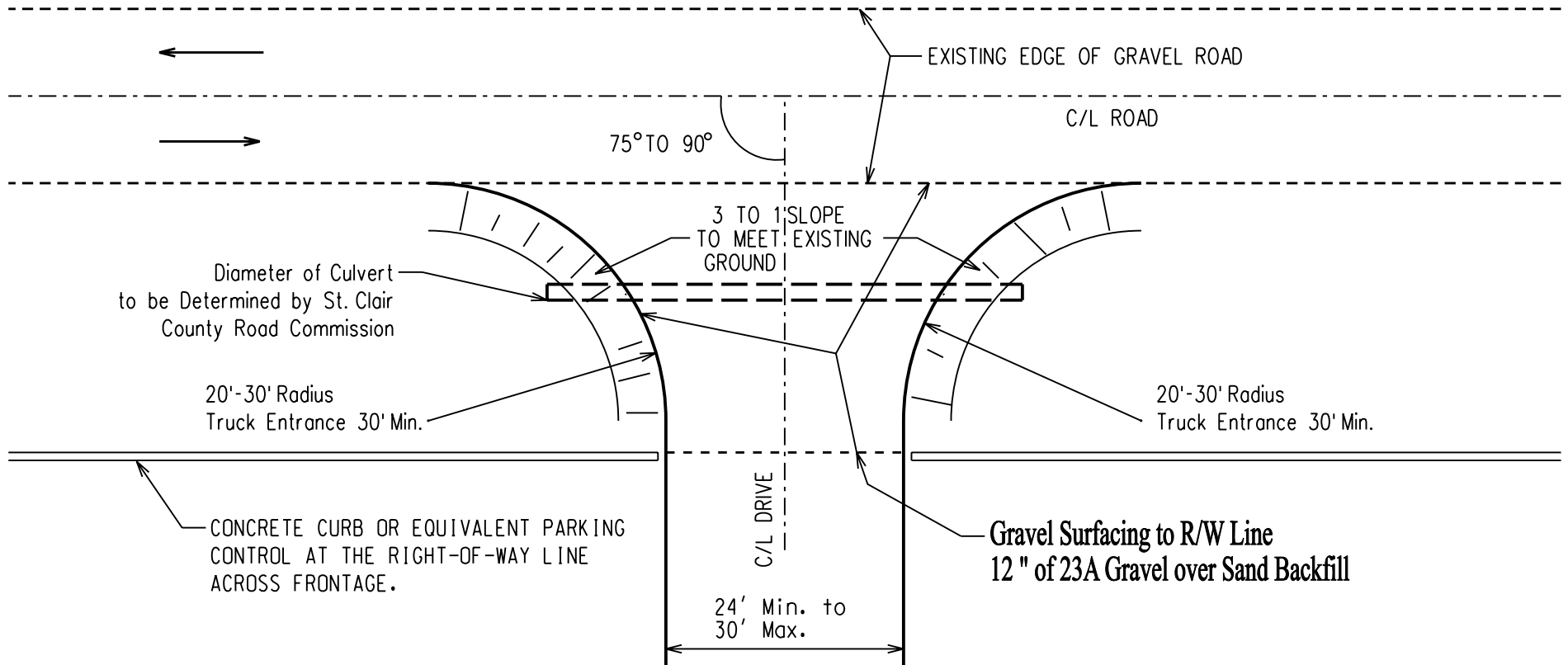


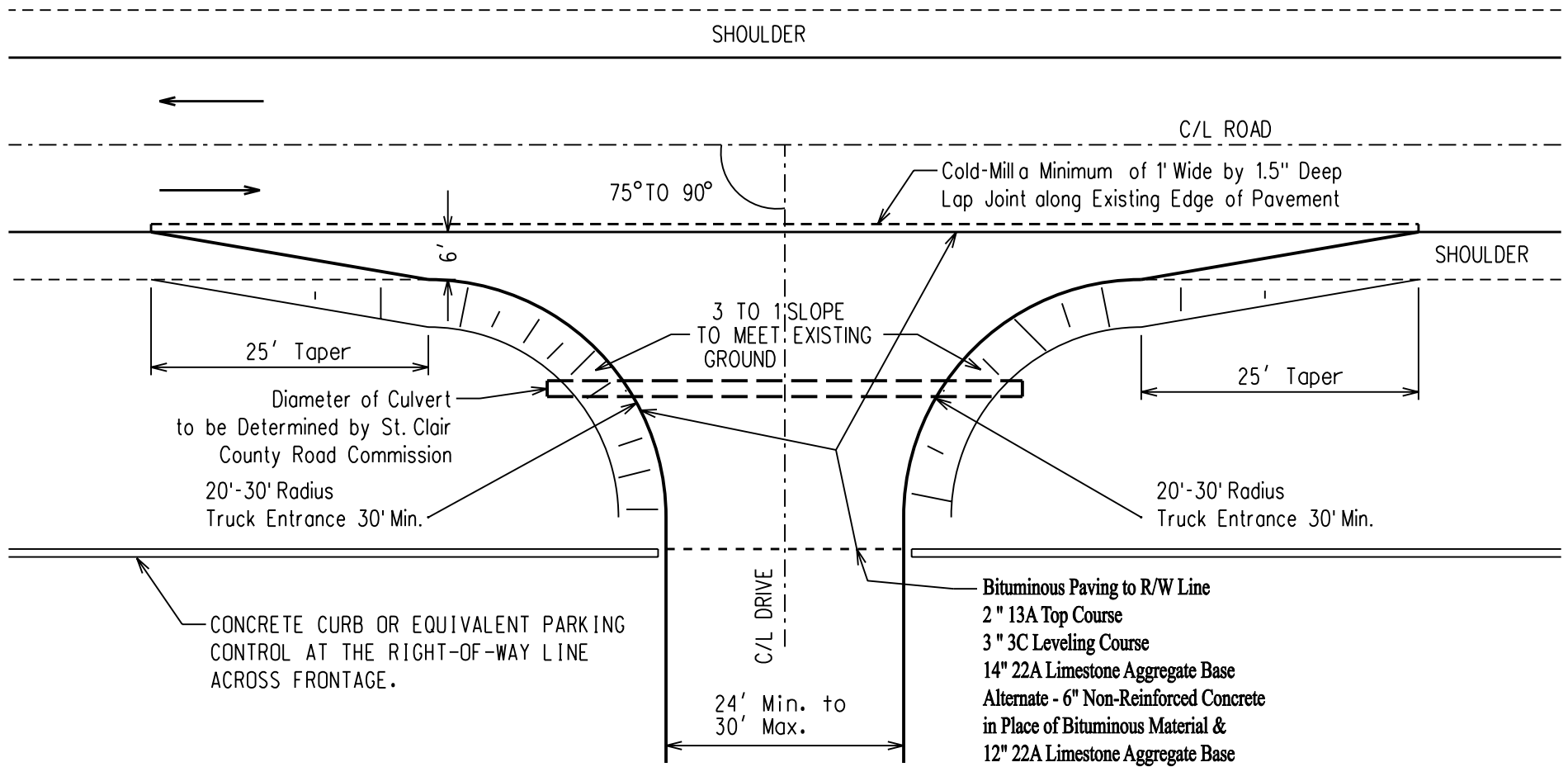
COMMERCIAL DRIVEWAY SPECIFICATION FOR: GRAVEL PRIMARY & LOCAL ROADS

LOW VOLUME USAGE (<25 Vehicles per Day)



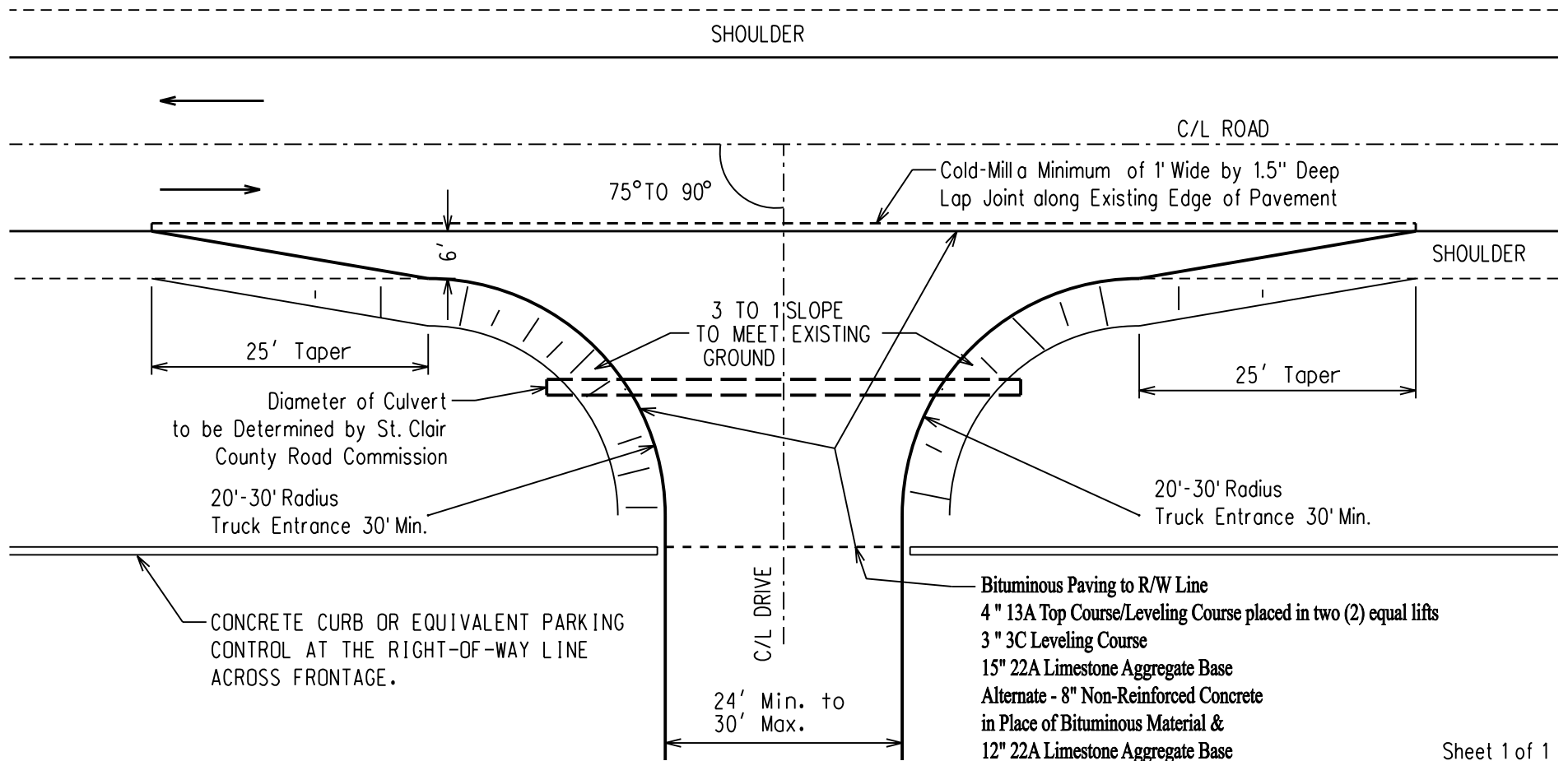
COMMERCIAL DRIVEWAY SPECIFICATION FOR: PAVED LOCAL ROADS

NO HIGHWAY CURBING & LOW VOLUME USAGE (<25 Vehicles per Day)



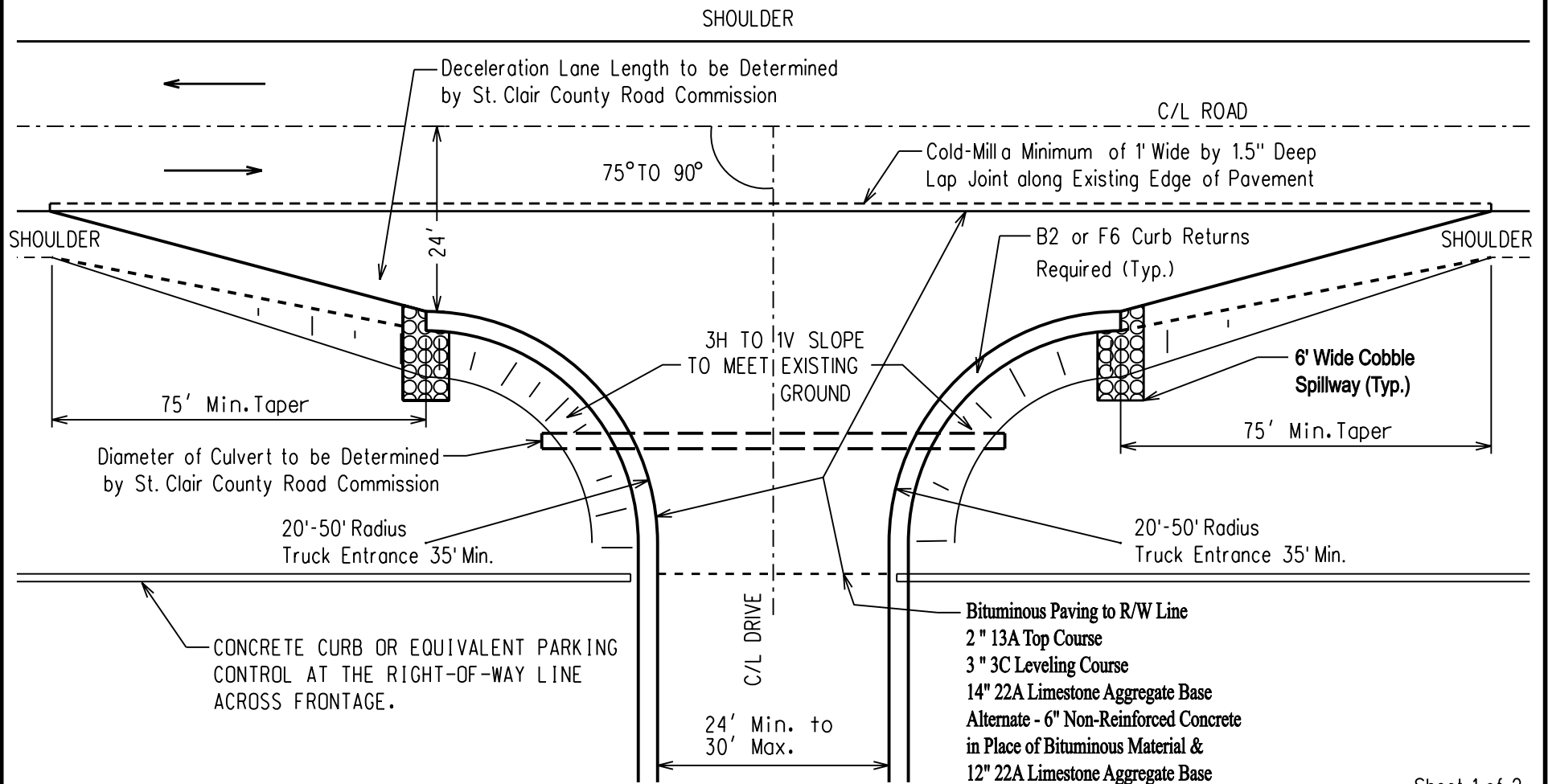
COMMERCIAL DRIVEWAY SPECIFICATION FOR: PAVED PRIMARY & ALL-SEASON ROADS

NO HIGHWAY CURBING & LOW VOLUME USAGE (<25 Vehicles per Day)



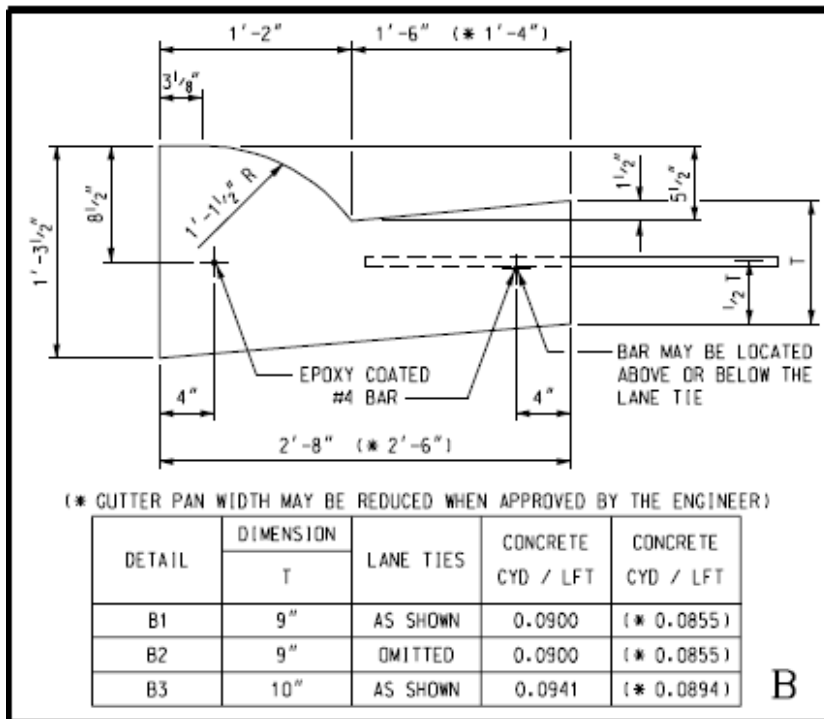
COMMERCIAL DRIVEWAY SPECIFICATION FOR: PAVED LOCAL ROADS

NO HIGHWAY CURBING & MEDIUM VOLUME USAGE (25-500 Vehicles per Day)

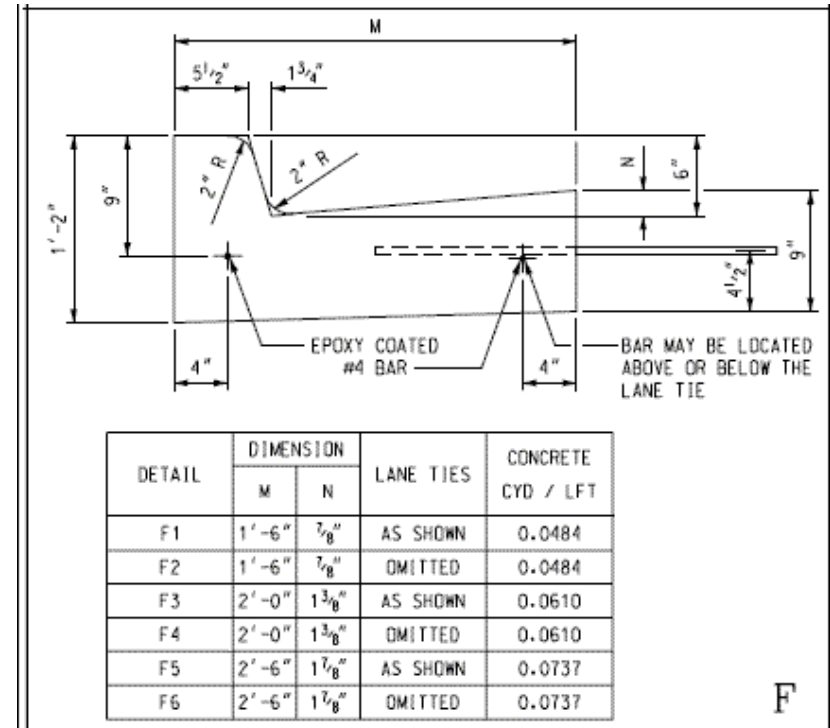


COMMERCIAL DRIVEWAY SPECIFICATION FOR: PAVED LOCAL ROADS

NO HIGHWAY CURBING & MEDIUM VOLUME USAGE (25-500 Vehicles per Day)



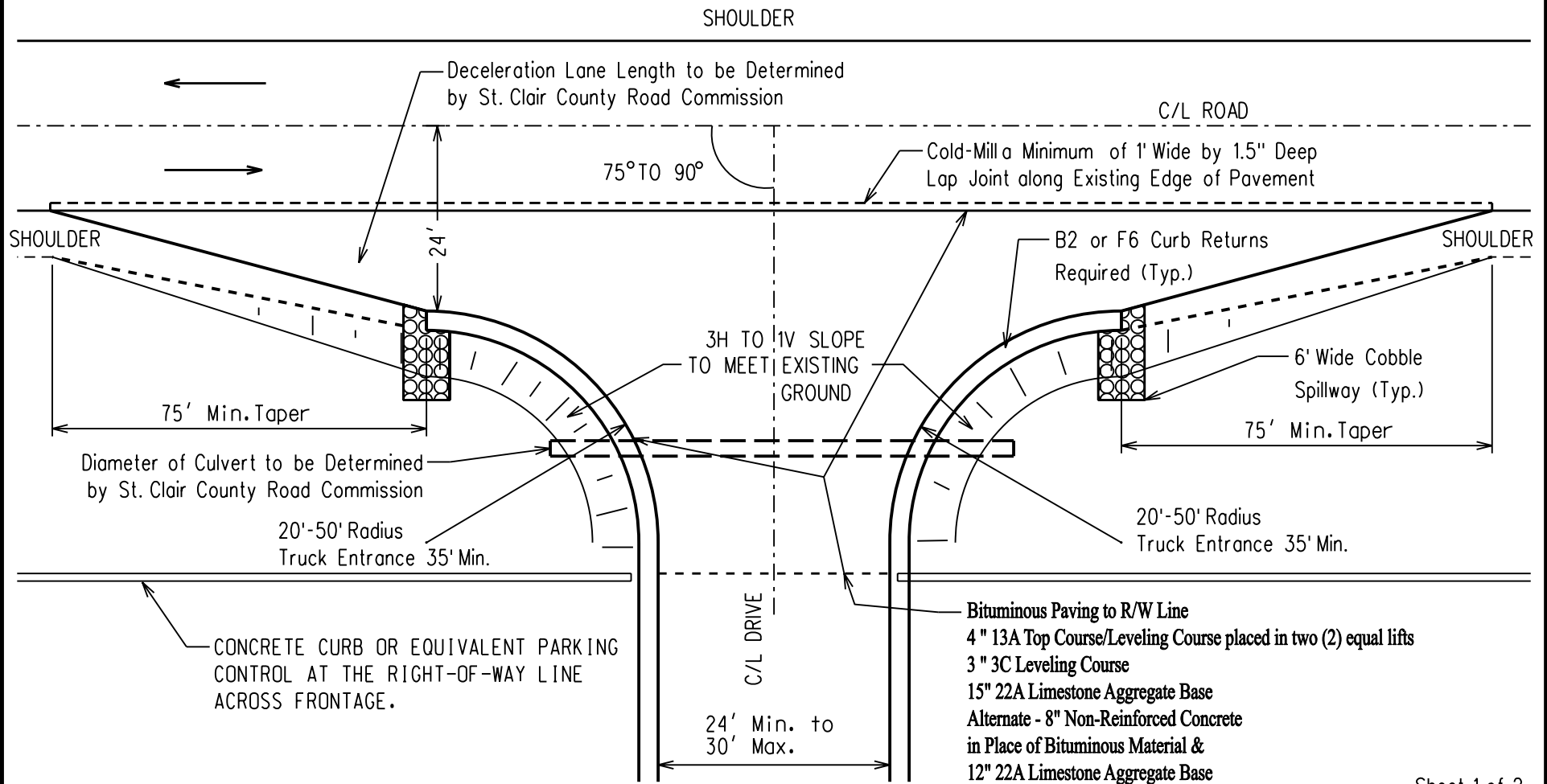
**B2 Curb & Gutter Required
for Posted Road Speeds of
45 mph or Greater**



**F6 Curb & Gutter Required
for Posted Road Speeds of
Less than 45 mph**

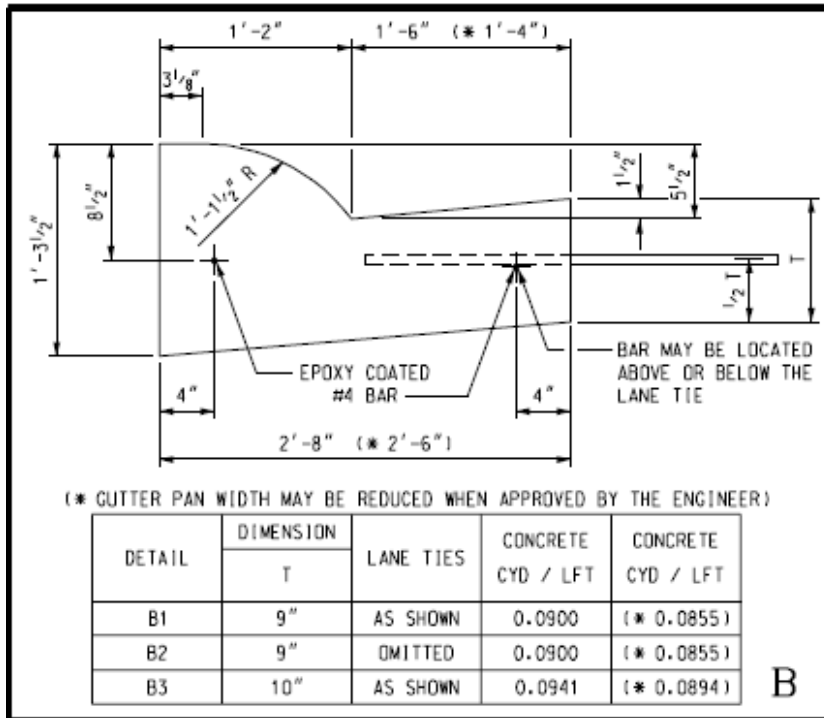
COMMERCIAL DRIVEWAY SPECIFICATION FOR: PAVED PRIMARY & ALL-SEASON ROADS

NO HIGHWAY CURBING & MEDIUM VOLUME USAGE (25-500 Vehicles per Day)

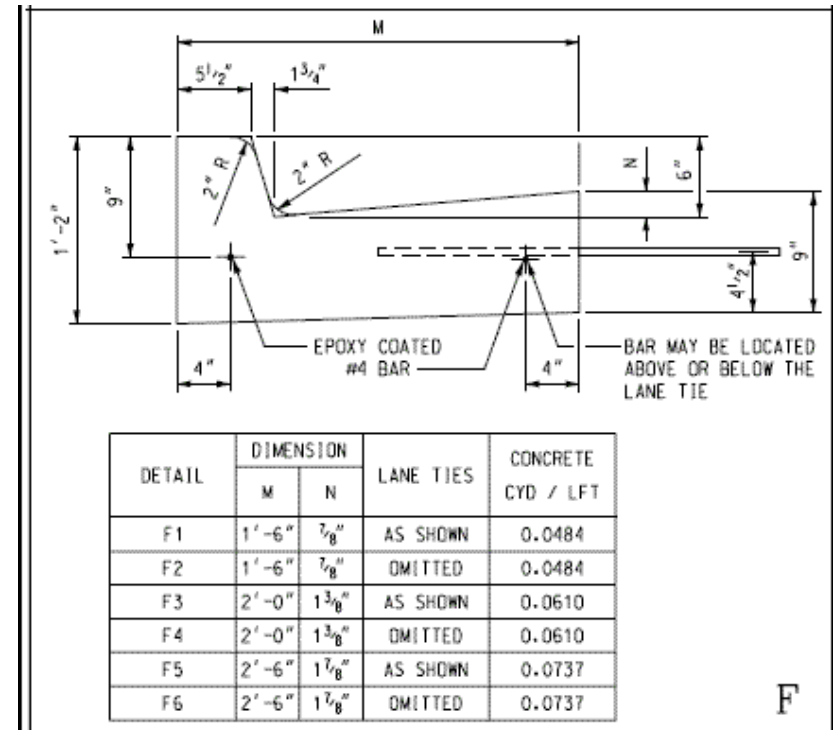


COMMERCIAL DRIVEWAY SPECIFICATION FOR: PAVED PRIMARY & ALL-SEASON ROADS

NO HIGHWAY CURBING & MEDIUM VOLUME USAGE (25-500 Vehicles per Day)



**B2 Curb & Gutter Required
for Posted Road Speeds of
45 mph or Greater**



**F6 Curb & Gutter Required
for Posted Road Speeds of
Less than 45 mph**